

# kloTo 532

4G router for M2M/ IoT application

532 and 532-N models

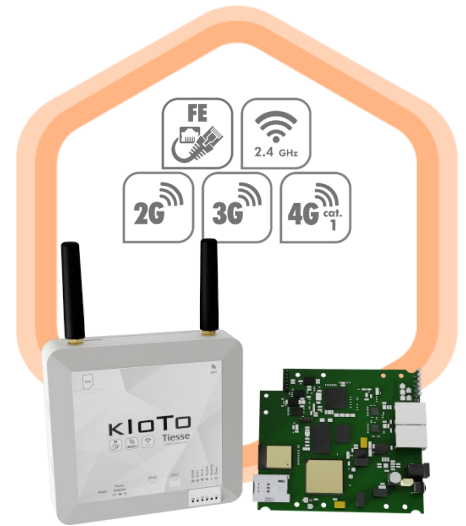


Datasheet

# kIoTo 532

## 532 and 532-N models

4G router, small and compact for M2M/IoT applications



2

**kIoTo 532** is a series of routers with compact and small-sized mobile radio connectivity, also suitable for being housed inside machinery, industrial systems or cabinets. The kIoTo models have two versions: with chassis and version with card only (models -N, "naked").

### FEATURES

Equipped with two Ethernet ports, they provide 4G and Wi-Fi connectivity for M2M and IoT applications.

#### LAN and Wi-Fi networks

Can be used to:

- configure the equipment locally
- as primary networks for both sending data and reaching a control center (in this case the mobile network will act as a backup if the primary network is unavailable)

#### VPN tunnel

**kIoTo** supports the creation of VPN tunnels to have secure communications and they are also easily integrated in environments which use custom protocols.

### KEY BENEFITS

- ⇒ Service continuity
- ⇒ VPN tunnel creation
- ⇒ Security
- ⇒ Compact and small size
- ⇒ "Naked" version, with card only, that can be housed inside any machinery
- ⇒ Factory pre-configuration
- ⇒ SIMs are installed and tested in factory on each device

### APPLICATIONS

**kIoTo** is particularly suitable for M2M and IoT business applications, where security and continuity of service are of primary importance, as well as reliability and durability.

It is designed to meet the needs and requirements in the scenarios:

- ⇒ **Telecontrol**
- ⇒ **Data gathering**
- ⇒ **Industrial automation**
- ⇒ **Diagnostic and predictive maintenance**
- ⇒ **Vending machines**
- ⇒ **Electric charging stations**
- ⇒ **Business assets**

### Models



kIoTo 532

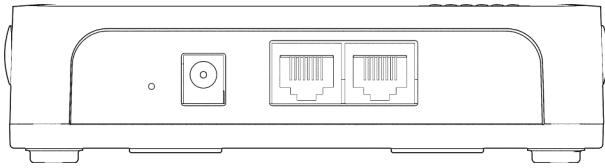


kIoTo 532-N

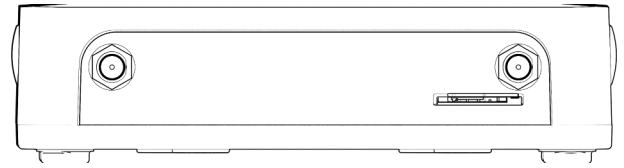
### HARDWARE INTERFACES FOR 532 MODELS

			532	532-N
LAN	FE	10/100 Mbps ports, base T, RJ45 connectors	2	2
	Wi-Fi	802.11 b/g/n (2.4 GHz) 2x2, mode Station or SoftAP	1	1
RADIO CELLULAR	LTE	Available LTE cat. 1 with both EU frequencies or World Wide, depending on the model	•	•

## INTERFACES



532 - ETH port side view



532 - antenna connectors side view

## Radio Cellular port features for kIoTo 532 and 532-N

EU Region CAT 1	LTE	LTE Penta-Band LTE: Bands 1, 3, 8, 20, 28 (700, 800, 900, 1800, 2100 MHz) LTE Cat.1 - Data rates: download max 10.2 Mbps / upload max 5.2 Mbps
	UMTS/HSPA+	Dual-Band UMTS/HSPA+: Bands 8, 1 (900, 2100 MHz), HSPA - Data rates: download max 7.2 Mbps / upload max 5.76 Mbps
	GSM	Dual-Band GSM 900 and 1800 MHz: 850/900 MHz, GSM; Class 1 (1W): 1800/1900 MHz, GSM Dual-Band GSM 900 and 1800 MHz: 850/900 MHz, GSM; Class 1 (1W): 1800/1900 MHz, GSM
	GPRS	GPRS Class 12 - Data rates: download max 85.6 kbps / upload max 85.6 kbps
WW Region CAT 1	LTE	LTE, frequencies, twelve bands: 700 (Bd12 <MFBI Bd17>, Bd28) 800 (Bd18, Bd19, Bd20) 850 (Bd5) / 900 (Bd8) / AWS (Bd4) / 1800 (Bd3) / 1900 (Bd2) / 2100 (Bd1) / 2600 (Bd7) LTE CAT 1 supported - Data rates: download 10.2 Mbps / upload 5.2 Mbps
	UMTS/HSPA/ HSDPA	UMTS frequency, seven bands: 800 (BdXIX) / 850 (BdV) / 900 (BdVIII) / AWS (BdIV) / 1800 (BdIX) / 1900 (BdII) / 2100MHz (BdI) HSPA: 3GPP Release 6, 7 - Data rates: download 7.2 Mbps / 5.7 Mbps upload HSDPA Cat.8 / HSUPA Cat.6 data rates Compressed mode (CM) supported according to 3GPP TS25.212 UMTS features 3GPP Release 4 PS data rate – Data rates: 384 kbps download / 384 kbps upload CS data rate – Data rates: 64 kbps download / 64 kbps upload
	GSM	GSM frequency, quad band: 850/900/1800/1900 MHz
	GPRS	GPRS: Multislot Class 12; EGPRS: Multislot Class 12

## SOFTWARE

Note: the list below is purely indicative; the features depend on the NoS version and update.



kIoTo 532  
mounted on a DIN bar

## NETWORKING

- IPv4, IPv6

## SICUREZZA

- SSID broadcast disable feature
- WPA-PSK e WPA2-PSK, WEP data encryption
- NAT/PAT
- ACL Firewall
- OpenVPN

## SERVIZI

- DHCP
- Intelligent DNS Proxy, Dynamic DNS
- Tracking for backup management, commands and scheduled events

## GESTIONE E CONFIGURAZIONE

- SNMP
- SSH
- Telnet
- Configuration via command Line Interface (CLI)

## kIoTo series - 4G router for M2M/IoT applications

Radio connectivity in a small and compact router

### SYSTEM FEATURES

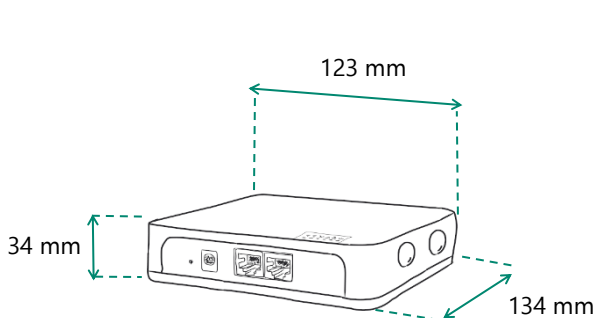
<b>POWER</b>	100-240 VAC (12 V adapter) Power 9-30 Vdc
<b>CONSUMPTIONS</b>	< 3 W
<b>ENVIRONMENTS</b>	<b>Operating temperature:</b> -10° C / + 55° C

<b>PROCESSOR</b>	Network processor @400 Mhz
<b>MEMORY</b>	128 MB DRAM
<b>FLASH MEMORY</b>	256 MB

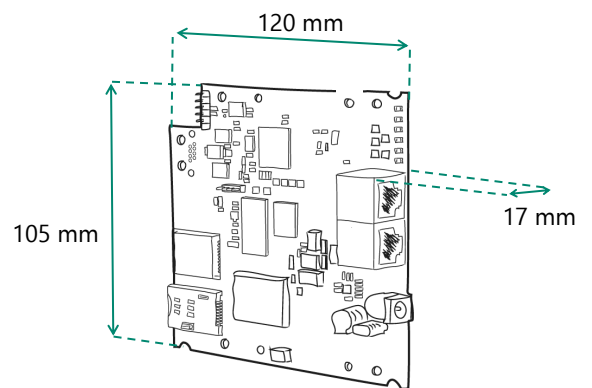
LED INDICATORS	
<b>Status LED</b>	1 x power / operative status
<b>Boot</b>	1 x booting status
<b>Ethernet</b>	1 x operative status for each port
<b>Wi-Fi</b>	1 x radio signal 2.4 GHz activity
<b>Radio cellular</b>	1 x radio-cellular connection status and network activity

EXTERNAL HARDWARE FEATURES	
<b>Material</b>	kIoTo 532 (chassis version): plastic - white
<b>Antennas</b>	<b>Radio WLAN</b> "On board" antenna <b>4G Radio cellular</b> 2 x external removable antennas SMA male connectors
<b>Mounting</b>	Horizontal plane, mounting on a wall or a DIN bar

### SIZE



**kIoTo 532**



**kIoTo 532-N**

### Technical support

Tiesse provides the user with two sites that are constantly updated:

**Support.tiesse.com:** the site with technical documentation, assembly instructions, software updates, and how to request technical support.

**Wiki.tiesse.com:** the site with manuals, instructions for installation, case studies, scenarios, FAQs, etc.

### ADD-ONS



Refer to the specific documentation for all supported appliances, depending on the product series.

### Ordering codes (available for volumes)

<b>K0532N1EU</b>	kIoTo 532-N Regione EU CAT 1 - Naked version
<b>K0532C1EU</b>	kIoTo 532 Regione EU CAT 1 - Box version
<b>K0532N1WW</b>	kIoTo 532-N Regione WW CAT 1 - Naked version

# Tiesse

Innovazione made in Italy

Tiesse is a 100% Italian company which has more than 20 years of expertise in designing, developing, and manufacturing M2M/IoT and network devices. The products series IMOLA, LIPARI and LEVANTO, which are innovative, competitive and certified, are present in the largest distributed national networks (from gas stations to large retailers, insurance companies and banks) as well as in the largest networks of the main gaming operators and energy sector.

[www.tiesse.com](http://www.tiesse.com)

**Info:** [mail@tiesse.com](mailto:mail@tiesse.com)

**Marketing & Commerciale:** [marketing@tiesse.com](mailto:marketing@tiesse.com)



**Ivrea** – Headquarter - Sales offices, Manufacturing facility and R&D: Via Asti 4, 10015 Ivrea (TO) - Tel +39.0125230544 - Fax +39.0125631923

**Rome** – Sales offices and R&D: Viale L. Gaurico 9/11, 00143 Roma EUR - Tel +39.0654832203 - Fax +39.0654834000

**Turin** - R&D: Via Livorno 60, 10144 Torino (TO) | **Avezzano** - R&D: Via C. Corradini 80, 67051 Avezzano (AQ)

© Copyright Tiesse S.p.A. - All rights reserved.

Any disclosure, derivation or reproduction of this document, even partial, is strictly prohibited without prior written authorization by Tiesse S.p.A.

**Disclaimer** – The informations in this document may contain predictive statements including, without limitation, statements regarding the future financial and operating results, future product portfolio, new technology, etc. There are a number of factors that could cause actual results and developments to differ materially from those expressed or implied in the predictive statements. Therefore, such information is provided for reference purpose only and constitutes neither an offer nor an acceptance. Tiesse may change the informations at any time without notice.

