



Lipari 5584-W



SA/NSA



AX3600



Fiber/GbE

Lipari 5584-W



5G indoor router

Lipari 5584-W is an all-in-one router of the latest 4G/5G generation; it is equipped with GE/ Fiber connectivity 2.5 Gbits and Wi-Fi AX3600.

Thanks to the support of 5G, LTE and WCDMA networks, it can be used globally, taking advantage of all the benefits of fixed and mobile Gigabit networks; Lipari 5584-W is suited for high-performance, bandwidth-intensive applications.

Lipari 5584-W is designed to support 5G scenarios described by 3GPP, including standalone 5G NR (SA), non-standalone (NSA).

KEY BENEFITS

- ⇒ Security
- ⇒ High performance for fixed and mobile Giga networks
- ⇒ Easy installation and factory pre-configurations
- ⇒ Always-on connections and service continuity



Lipari 5584-W is part of IMOLA and LIPARI series, composed by certified router which are used in the main networks of major telecommunication operators.



5G ANTENNA

- ⇒ Support of Multiple Input/Multiple Output (MIMO) 4x4 over bands 32, 4, 66, 3, 2, 25, 1, 30, 41, 7, 43, 42, 46, 48
- ⇒ 4 Antennas (SMA male connector) LTE/sub-6



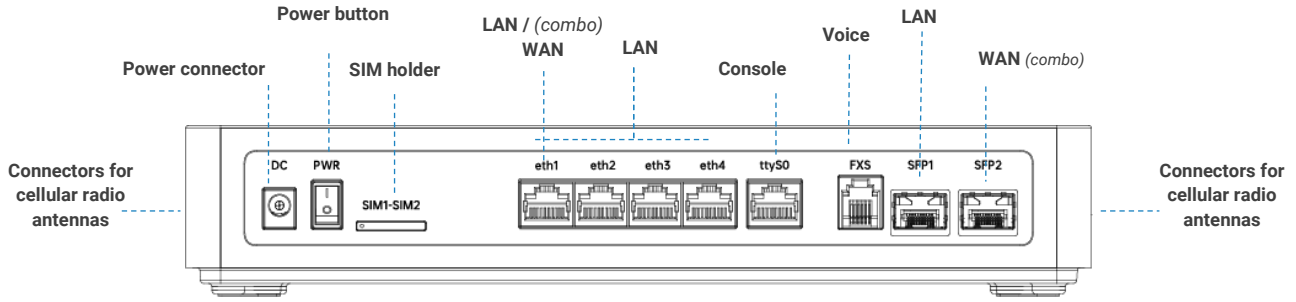
FIBER ACCESS

The main SFP (transceiver) fibre and Gigabit Ethernet module standards are supported for both LAN and WAN access.

- ⇒ Data rate up to 2.5 GE
- ⇒ Supported connectors: LC simplex, LC duplex, RJ45



HARDWARE INTERFACES



Port	Description	Features
LAN	GE	– 4 ports 10/100/1000 Mbps, RJ45 connector
	SFP	– 1 port 2.5GE via SFP cages (SFP transceiver module is not included) - SFP1 label
Wi-Fi	RF	<ul style="list-style-type: none"> – IEEE 802.11ax IEEE 802.11ac – IEEE 802.11b IEEE 802.11g IEEE 802.11n – IEEE 802.11a
	Frequency bands	– 2.4 GHz e 5 GHz simultaneous
	Throughput	– 1147 Mbps (2.4 GHz) 2402 Mbps (5 GHz) (theoretical maximum)
WAN	MIMO	– 4 x 4
	Wired Combo ETH/SFP	<ul style="list-style-type: none"> – 1 2.5GE port, via SFP cages (not included) - SFP2 label – 1 Ethernet port can serve as both LAN and WAN - eth1 label
	WCDMA	<ul style="list-style-type: none"> – Frequencies: B1, B5, B8 – Throughput : Max. 42 (DL)/Max. 5.76 (UL)
	LTE	<ul style="list-style-type: none"> – Frequencies: LTE-FDD: B1/3/5/7/8/20/28 LTE-TDD: B38/40/41/42/43 – Throughput: LTE-FDD: Max. 1.6 Gbps (DL) / Max. 211 Mbps (UL) (*)
Radio Cellular	5G Sub-6 GHz	<ul style="list-style-type: none"> – 5G NR Frequencies n1/3/5/7/8/20/28/38/40/41/77/78 – Throughput: 5G SA Sub-6: Max. 4.67 Gbps (DL)/Max. 1.25 Gbps (UL) (*) 5G NSA Sub-6: Max. 3.74 Gbps (DL)/Max. 1.46 Gbps (UL) (*)
	SIM	<ul style="list-style-type: none"> – 2 nano SIM slots (Dual SIM Single ACTIVE) – Type of SIM insertion: tray eject
	MIMO	– DL: 4 x 4 - UL: 2 x 2 (4 external antennas via SMA connector)
Voice	FXS	– 1 FXS port
Console	RJ45	– 1 console port - RJ45 connector

* NOTE: the throughput value depends on network configuration, assigned bandwidth, number of users, and RF signal condition.

RADIO CELLULAR FREQUENCIES

5G FR1

n1, n2, n3, n5, n7, n12, n14, n20, n28, n30, n41, n66, n71, n77, n78, n79

5G LTE

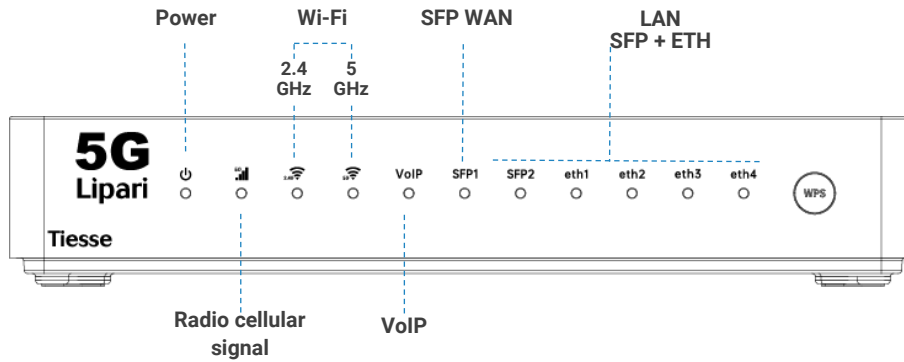
1, 2, 3, 4, 5, 8, 9, 12, 13, 14, 17, 18, 19, 20, 26, 28, 71, 25, 66, 39, 29 (DL), 30, 32, 7, 38, 40, 41, 42, 43, 46, (LAA), 48 (CBRS), 34, 27

WCDMA

5, 8, 3, 4, 2, 1, 9, 19



LED DESCRIPTION



LED	Color	Description
Power	Green	– 1 x power / operative status
Radio cellular	Multicolor	– 1 x operative status/ radio cellular signal quality
Wi-Fi	Green	– 1x 2.5 GHz Wi-Fi band connection status – 1 x 5 GHz Wi-Fi band connection status
VoIP	Green	– 1 x operative status/ voice signal quality
WAN	Green	– 1 x SFP1 port operative status
LAN	Green/yellow	– 1 x for each ETH ports - operative status (green 10/100 Mbps - yellow 1000 Mbps)
	Green	– 1 x SFP2 port - operative status

SOFTWARE

Note: the features may depend on the product firmware version and update level.

Area	Main features
Networking	– TCP-UDP IPv4, IPv6
Layer 2 features	– LAN Bridging – VLAN over LAN 802.1q interfaces in Access mode, Trunk, native VLAN and Hybrid mode
Routing	– Static, Policy routing
QoS	– Classification of traffic based on source IP, destination IP, protocols (UDP, ICMP, TCP, etc.) and ports, and combinations thereof, application recognition, Precedence IP and DSCP – DiffServ – IP Precedence Remarking, DSCP e CoS – Shaping with guaranteed allocated band and redistribution of the exceeding band – Committed Access Rate and Multicast rate limit – Traffic prioritisation mechanisms, definition of an arbitrary number of priority classes
Security	– NAT/PAT – ACLs, Stateful Firewall – SSL Tunnelling – L2TP – GRE Tunnelling with keep alive and key sequence numbering (cellular network optimization) – VPN with IPSEC/ESP or IPSEC/AH IKEv1/IKEv2
Services	– DHCP client, DHCP server with anti-spoofing functions, DHCP Layer Discovery Protocol IEEE 802.1ab – Intelligent DNS Proxy, both local and e remote – Traceroute
Management and configuration	– Upgrade software via http/TR069 – Telnet server with multiple simultaneous sessions – SSH server with multiple simultaneous sessions(SSHv2) – Software update via TFTP and FTP



SYSTEM FEATURES

POWER

- 12V Ac/DC adapter, wall mount type
- ON/OFF button

CONSUMPTION

- ≤ 28 W (full configuration)

PROCESSOR

- Quadcore 2 GHz

MEMORY

- 1 GB

FLASH MEMORY

- 1 GB

EXTERNAL FEATURES

MATERIAL

- Plastic chassis

COLOR

- Black

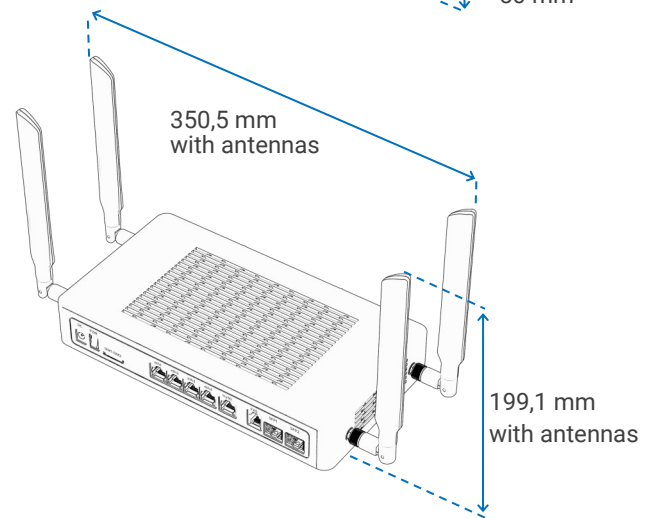
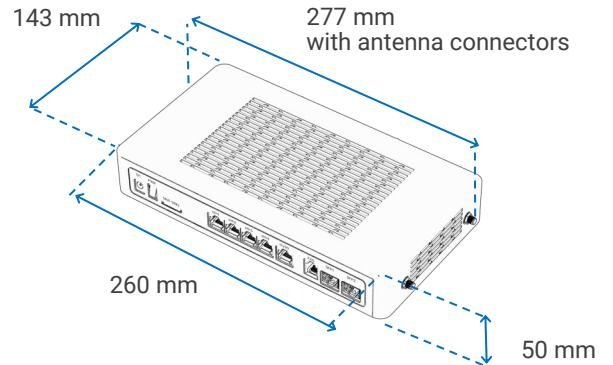
FORM FACTOR

- Desktop / horizontal plane

ANTENNAS

- 5G radio cellular: 4 x external removable antennas - SMA male connector
- Wi-Fi: internal antennas

SIZE



Add-ons



Tiesse products offer a range of optional accessories, available according to the specifications of each model; these include omnidirectional and directional antennas for outdoor use, mounts for various mounting options, and SFP transceiver modules.

Full documentation on supported accessories can be downloaded directly from www.tiesse.com.

Technical support

On-line support on:



Supporto.tiesse.com: portal with technical documentation, assembly instructions, software updates and how to request technical support.

Wiki.tiesse.com: site dedicated to software documentation; it includes user manuals, first access guides, case studies, tutorials and other useful resources for using the products.



Tiesse

Innovation made in Italy®

Tiesse is a totally Italian company with more than 25 years of experience in the design, development and production of network equipment and IoT devices, suitable for use in mission-critical and industrial scenarios. Tiesse's most successful series, Imola, Lipari and Levanto, are innovative, competitive and certified, and are present in the networks of the major telecommunications operators, in the energy sector, large-scale distribution and vertical sectors, both in the Italian and foreign markets.

Further information on Tiesse solutions can be found on the company website www.tiesse.com.



Info: mail@tiesse.com

Marketing & Sales: marketing@tiesse.com

www.tiesse.com



Via Asti 4
10015 Ivrea (TO)

Tel +39.0125230544
Fax +39.0125631923

Viale L. Gauro 9/11
00143 Roma EUR

Tel +39.0654832203
Fax +39.0654834000

Via Livorno 60
10144 Torino (TO)

Via C. Corradini 80
67051 Avezzano (AQ)



© Copyright Tiesse S.p.A.

Any disclosure, derivation or reproduction of this document, even partial, is strictly prohibited without prior written authorization by Tiesse S.p.A.

Disclaimer

The informations in this document may contain predictive statements including, without limitation, statements regarding the future financial and operating results, future product portfolio, new technology, etc. There are a number of factors that could cause actual results and developments to differ materially from those expressed or implied in the predictive statements. Therefore, such information is provided for reference purpose only and constitutes neither an offer nor an acceptance. Tiesse may change the informations at any time without notice.