



# Elba 100



# Elba 100



## Managed switch

**ELBA series** products are managed Ethernet switches, with fixed configuration and they are part of the line of networking solutions entirely designed and produced by Tiesse, a 100% italian company.

### FEATURES

#### 10 ports

**Elba 100** has 10 ports: eight Gigabit Ethernet ports and two SFP+ ports, supporting speeds up to 10 Gigabit.

#### Easy to configure

**Elba 100** is easy to configure and thus the set-up time within the network is reduced.

### KEY BENEFITS

- ⇒ Security
- ⇒ Fiber ports up to 10Gb (SFP+)
- ⇒ Easy installation and factory pre-configuration
- ⇒ Compact in size
- ⇒ Low power consumption

### APPLICATIONS

**Elba 100** is particularly suitable for business scenarios

- Security
- Network performances are of primary importance.

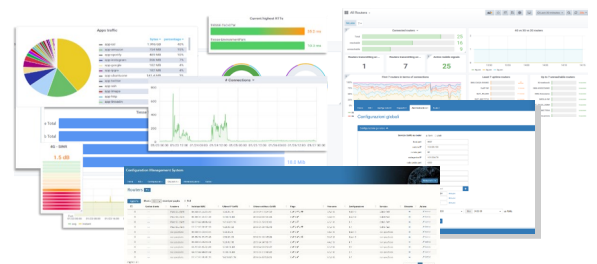
### Zero Touch Provisioning



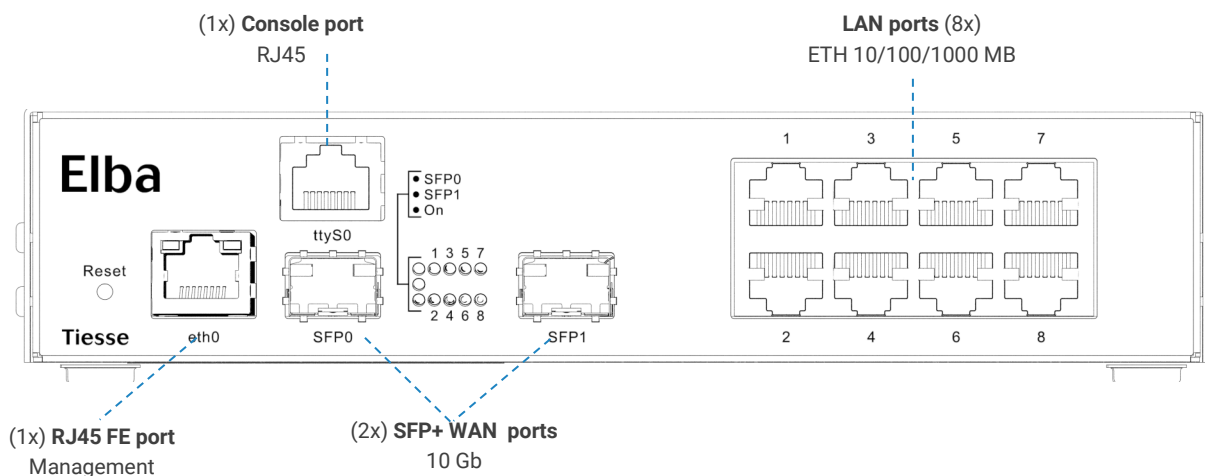
**Elba 100** switches are integrated into the **Tiesse Network Architecture (TNA)** suite.

TNA is the modular software suite that enables Zero Touch Provisioning network architecture, including monitoring, remote and automated web-based management of configurations and firmware releases of the installed fleet; enables traffic engineering, network overlays, and many other features.

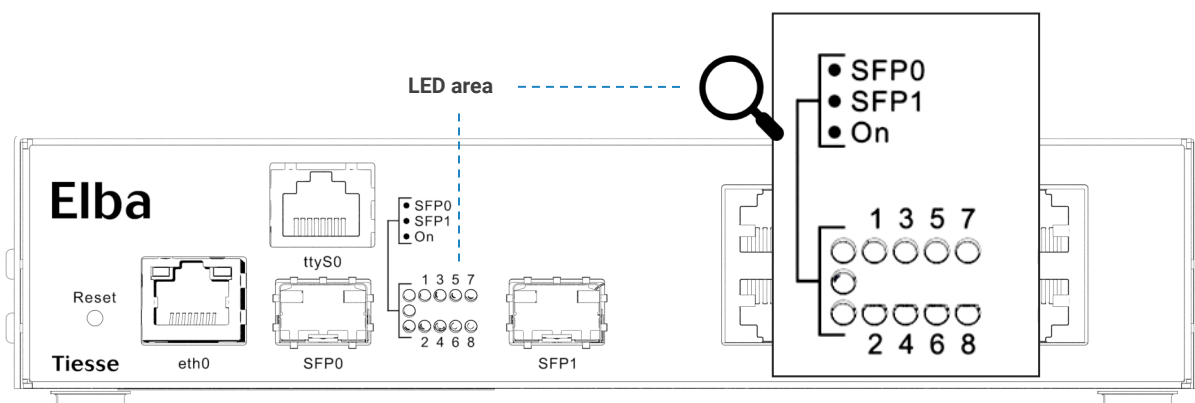
A complete datasheet of the solution is available at [www.tiesse.com](http://www.tiesse.com).



## HARDWARE interfaces



## LED description



LED	Color	Description
Power	Green	– 1 x power / operative status
SFP	Green	– 1 x for each SFP port, it shows operative status
LAN	Yellow / Green	– 1 x for each ETH port, it shows operative status

## ADD-ONS

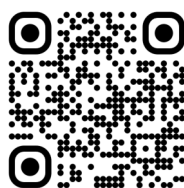
Tiesse products offer a range of optional accessories, available according to the specifications of each model; these include omnidirectional and directional antennas for outdoor use, mounts for various mounting options, and SFP transceiver modules.

Complete documentation on supported accessories can be downloaded directly from [www.tiesse.com](http://www.tiesse.com).



## Technical support

Online support on:



**Supporto.tiesse.com:** portal with technical documentation, assembly instructions, software updates and ways to request technical support.

**Wiki.tiesse.com:** site dedicated to software documentation; includes user manuals, first-time user guides, case studies, tutorials, and other resources useful in using the products.





## SOFTWARE

Area	Main features*
Switching Layer 2	<ul style="list-style-type: none"> <li>– <b>Spanning tree protocol</b> <ul style="list-style-type: none"> <li>– Support of Spanning Tree Protocol 802.1d standard</li> <li>– RSTP (Rapid Spanning Tree Protocol), MSTP Multiple Spanning Tree Protocol</li> </ul> </li> <li>– <b>LLDP</b> - Support of Link Layer Discovery Protocol IEEE 802.1ab</li> <li>– <b>VLAN</b> <ul style="list-style-type: none"> <li>– VLAN tag 802.1Q, VLAN based on MAC address</li> <li>– VLAN for management, VLAN Q-in-Q</li> <li>– VLAN for voice traffic (assignment to a specific VLAN with QoS management)</li> </ul> </li> <li>– <b>Port aggregation</b> - Support of LACP (Link Aggregation Control Protocol) IEEE 802.3ad</li> <li>– <b>Unidirectional Link Detection</b> - Support of UDLD</li> <li>– <b>IGMP</b> - Support of Internet Group Management Protocol to limit multicast traffic</li> </ul>
	<ul style="list-style-type: none"> <li>– <b>Class of Service (CoS)</b> <ul style="list-style-type: none"> <li>– Classification based on port, over VLAN priority VLAN (802.1p tag),</li> <li>– Differentiated Services (DiffServ)</li> <li>– Remarking COS</li> </ul> </li> </ul>
	<ul style="list-style-type: none"> <li>– <b>WRR</b> - Support Weighted Round Robin</li> </ul>
QoS Quality of Service	<ul style="list-style-type: none"> <li>– <b>Levels</b> - 8 hardware queues for each priority level</li> <li>– <b>Traffic/speed</b> <ul style="list-style-type: none"> <li>– Data flow control and restriction based on VLAN and port</li> <li>– Storm control</li> </ul> </li> </ul>
Administration and Management	<ul style="list-style-type: none"> <li>– <b>CLI</b> - Command line</li> <li>– <b>Additional services</b> - TNA autoprovisioning and monitoring</li> </ul>

\* Note: Software features depend on both version and update level of the firmware.

## SYSTEM features

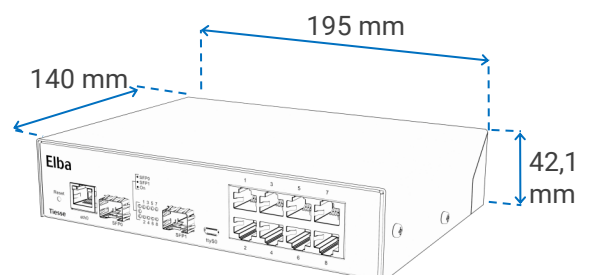
<b>POWER</b>	<ul style="list-style-type: none"> <li>– External Desktop 12 V (internal Vdc 2.5 A)</li> <li>– Power switch ON/OFF</li> </ul>
<b>FORM FACTOR</b>	<ul style="list-style-type: none"> <li>– Desktop</li> </ul>
<b>FANS</b>	<ul style="list-style-type: none"> <li>– Fanless</li> </ul>
<b>ENVIRONMENT</b>	<ul style="list-style-type: none"> <li>– Operating temperature: -5°C / +55° C</li> <li>– Storage temperature: -40°C / +70°C</li> <li>– Max relative operating humidity : 93% (non condensing)</li> </ul>
<b>RESET</b>	<ul style="list-style-type: none"> <li>– Reset and restore factory functions</li> </ul>
<b>CONSUMPTION</b>	<ul style="list-style-type: none"> <li>– &lt; 20 W Full Configuration</li> </ul>
<b>PROCESSOR</b>	<ul style="list-style-type: none"> <li>– ARM Cortex-A7 500 MHz</li> </ul>
<b>ADD-ONS</b>	<ul style="list-style-type: none"> <li>– Please, refer to the add-ons datasheets for all supported SFP accessories and modules, depending on the product series. Download it at <a href="http://www.tiesse.com">www.tiesse.com</a></li> </ul>

### EXTERNAL features

**MATERIAL** – Metal chassis

**COLOR** – black

### SIZE



# Tiesse

Innovation made in Italy®

Tiesse is a totally Italian company with more than 25 years of experience in the design, development and production of network equipment and IoT devices, suitable for use in mission-critical and industrial scenarios. Tiesse's most successful series, Imola, Lipari and Levanto, are innovative, competitive and certified, and are present in the networks of the major telecommunications operators, in the energy sector, large-scale distribution and vertical sectors, both in the Italian and foreign markets.

Further information on Tiesse solutions can be found on the company website [www.tiesse.com](http://www.tiesse.com).



Info: [mail@tiesse.com](mailto:mail@tiesse.com)

Marketing & Sales: [marketing@tiesse.com](mailto:marketing@tiesse.com)

[www.tiesse.com](http://www.tiesse.com)



Via Asti 4  
10015 Ivrea (TO)  
Italy

Tel +39.0125230544

Viale L. Gaurico 9/11  
00143 Roma EUR  
Italy

Tel +39.0654832203  
Fax +39.0654834000

Via Livorno 60  
10144 Torino (TO)  
Italy

Via C. Corradini 80  
67051 Avezzano (AQ)  
Italy



© Copyright Tiesse S.p.A.

Any disclosure, derivation or reproduction of this document, even partial, is strictly prohibited without prior written authorization by Tiesse S.p.A.

Disclaimer

The informations in this document may contain predictive statements including, without limitation, statements regarding the future financial and operating results, future product portfolio, new technology, etc. There are a number of factors that could cause actual results and developments to differ materially from those expressed or implied in the predictive statements. Therefore, such information is provided for reference purpose only and constitutes neither an offer nor an acceptance. Tiesse may change the informations at any time without notice.

Ver. ENG 161224

